

NOTE: 1
 DESIGN CODE:
 API 17H Type 2

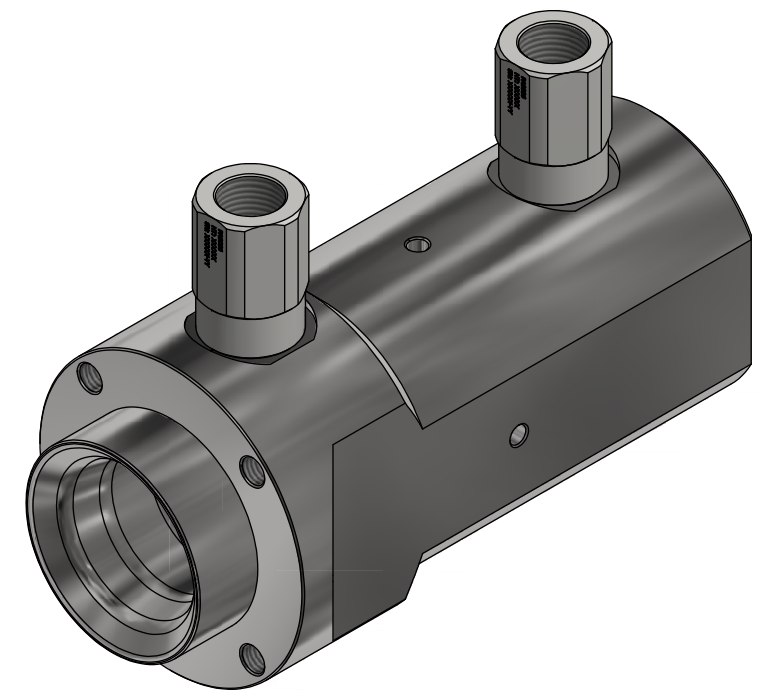
NOTE: 2
 TECHNICAL CLASSIFICATION:
 Article Type: 001-Hot Stabs
 Main Group: 1.02. Ø35/Ø43 Hot Stab
 Intermediate Group: 1.3.02. Receptacle
 Sub Group: 1.3.10.02. Dual

NOTE: 3
 INTERFACE INFORMATION:
 Pressure Rating Bar: 690
 Design Water Depth: N/A
 Material: Intervention
 Weight: 6,9 kg
 Volume: 0,88 dm³
 Submerged Weight: 6 kg
 Surface Area: 1257 cm²
 Hydraulic: 1/2" BSP
 Mechanical: 4xM10@PCD 86
 Electrical: N/A
 Com. & Protocol: N/A

NOTE: 4
 SPAREPARTS:
 BA5291

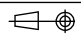
NOTE: 5
 WEB LINK:
<http://e-sea.bluelogic.no/main.aspx?page=article&artno=BA4004>

NOTE: 6
 ADDITIONAL INFORMATION:
 Other hydraulic port interface can be delivered on customers request.



Rev.	Date	Reason for issue	Revision change	Made	Chk'd	Appr.
03	22.12.2016	9-IFU (Issued for Use)		HNJ	WTJ	HNJ
02	12.5.2014	9-IFU (Issued for Use)		WTJ	HNJ	WTJ
01	13.9.2013	7-IFC (Issued for Construction)		HNJ	LAE	HNJ



Dwg Scale:
 NTS
 Dwg Proj:

 Dwg Format:
 A3

Drawing title:
 Ø35/Ø43 DP Rec 10k Interv wCV BSP 1/2"

Drawing number:
 BA4004

Rev:
 03